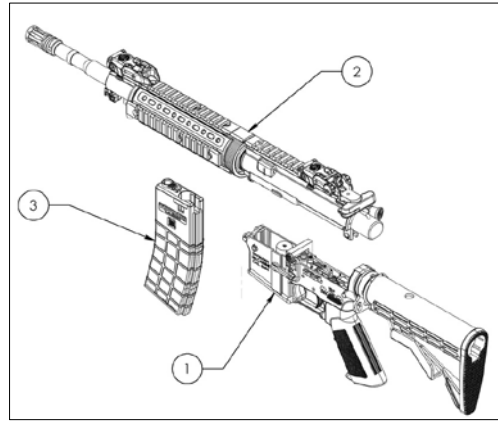
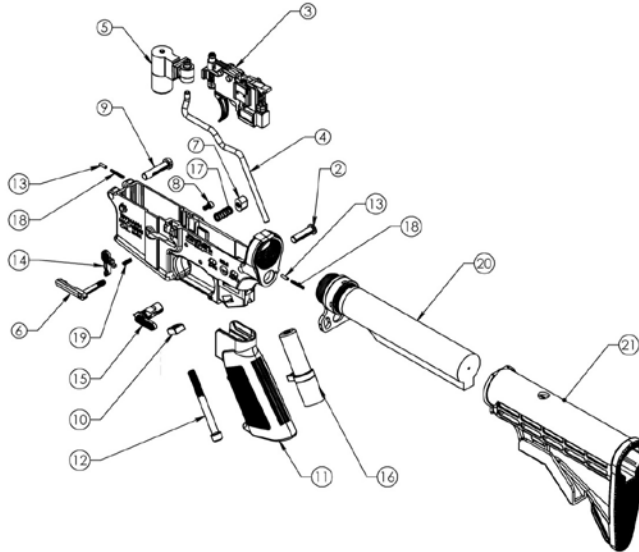


M4 Carbine Exploded View

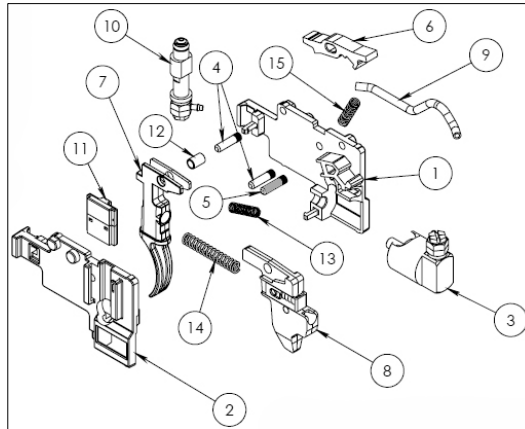
ITEM	PART NO.	DESCRIPTION	QTY
1	N/A	Lower Receiver Assembly	1
2	TA50222	Upper Receiver Assembly	1
3	TA50216	12 Gram Magazine Complete	1



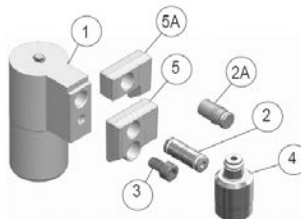
ITEM	PART NO.	LOWER RECEIVER DESCRIPTION	QTY
1	TA50001	Lower Receiver	1
2	TA50077	Take Down Pin	1
3	TA50215	Trigger Group Complete	1
4	TA50009	Air Line, Main	1
5	TA50229	Puncture Valve with Locking Tab and Fitting	1
6	TA50038	Magazine Catch	1
7	TA50039	Magazine Latch Button	1
8	TA50095	SHCS #6-32 X 1/4"	1
9	TA50078	Pivot Pin	1
10	PL-42D	Nut, Square 1/4-20	1
11	TA50003	Grip	1
12	TA50048	SHCS - 1/4-20 UNC X 2.5"	1
13	TA50029	Pin Detent	2
14	TA50034	Bolt Catch	1
15	TA50004	Safety	1
16	TA50232	Lower Gas Line Connector Complete	1
17	TA50122	Spring, Comp., 1.156" F.L., X 0.297" O.D.	1
18	TA50128	Spring, Comp., 0.750" FL X 0.0.84" OD	2
19	TA50143	SPRING, COMP., 0.120" O.D., X 0.375" F.L.	1
20	TA50219	Collapsible Stock Tube Complete	1
21	TA50220	Collapsible Butt Stock Complete	1



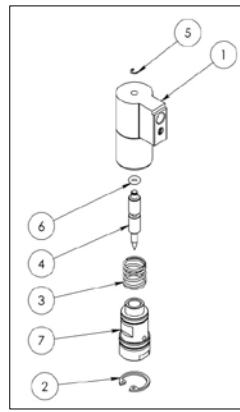
ITEM	PART NO.	TRIGGER GROUP ASSEMBLY DESCRIPTION	QTY
1	TA50082	Trigger Plate, Right	1
2	TA50081	Trigger Plate, Left	1
3	TA50214	Response Cylinder Assembly	1
4	02-33	Dowel Pin, 1/8 x 1/2, Knurled	3
5	02-33A	Dowel Pin, Black	1
6	02-35	Sear	1
7	TA50079	Front Trigger	1
8	TA50226	Rear Trigger Complete	1
9	TA50076	Response Gas Line, 5/64" ID x 1/8" OD	1
10	TA50212	Flow Control Complete	1
11	TA50211	Safety Detent Complete	1
12	TA50148	Trigger Bushing	1
13	02-88	Spring, Comp., 0.600" FL x 0.161" OD	1
14	TA01068	Spring, Comp., 1.174" FL x 0.188" OD	1
15	02-20	Spring, Comp., 0.600" FL x 0.172" OD	1



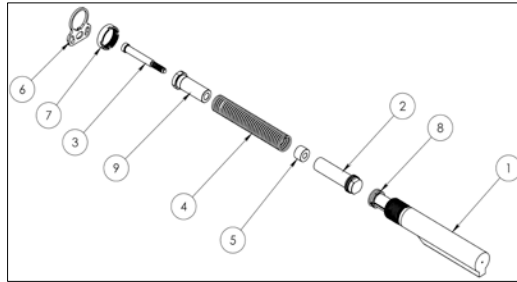
ITEM	PART NO.	PUNCTURE VALVE ASSY DESCRIPTION	QTY
1	TA50217	Puncture Valve Complete	1
2	TA50225	Puncture Valve Gas Line Complete	1
2A	TA50138	Fitting Plug (for Remote Line or ASA use only)	1
3	TA50095	Screw, SHCS, #6-32 x 1/4"	1
4	TA50228	Input Fitting, Dual Feed, Complete	1
5	TA50091	Locking Tab	1
5A	TA50141	Fitting Plug Locking Tab (for Remote Line or ASA use only)	1



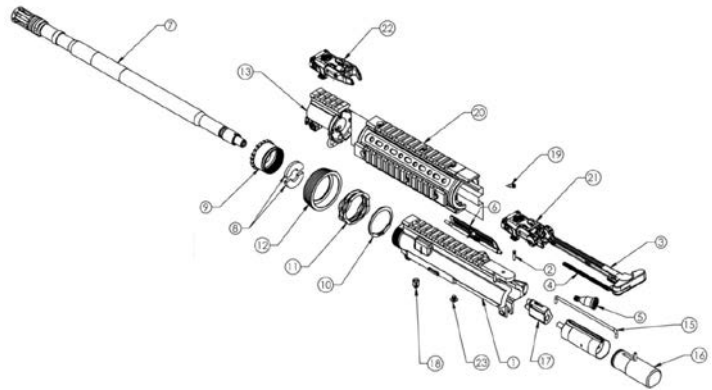
ITEM	PART NO.	PUNCTURE VALVE BODY DESCRIPTION	QTY
1	TA50087	Puncture Valve Body	1
2	TA50094	9/16" Internal Retaining Ring	1
3	TA50134	Spring	1
4	TA50090	Puncture Pin	1
5	TA50024	C-Clip	1
6	TA20049	O-ring, CU, 70A, 2-006	1
7	TA50227	Puncture Piston Complete	1



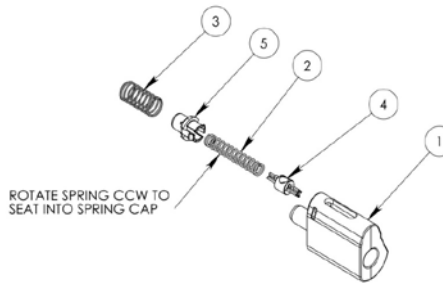
ITEM	PART NO.	COLLAPSIBLE STOCK TUBE DESCRIPTION	QTY
1	TA50119	Buffer Tube	1
2	TA50130	Buffer Rear Stop	1
3	TA50129	Buffer Guide Shaft	1
4	TA50010	Spring, 7.375" FL, 0.938" OD	1
5	TA50131	Buffer Guide Spacer	1
6	TA50113	Buffer Tube Lock Spacer	1
7	TA50114	Buffer Tube Nut	1
8	TA50136	O-Ring, BUNA, 70A, 2-020	1
9	TA50103	Buffer	1



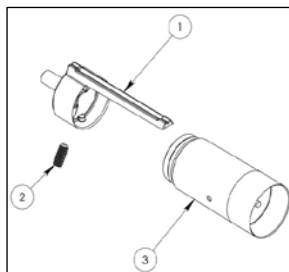
ITEM	PART NO.	DESCRIPTION	QTY
1	TA50002	Upper Receiver	1
2	02-33A	Dowel Pin, Black	1
3	TA50207	Charging Handle Assembly	1
4	TA50112	Spring, Comp. 3.43" FL x 0.170" OD	1
5	TA50106	Forward Assist Button	1
6	TA50209	Ejection Port Cover Assembly	1
7	TA50223	Barrel Assembly	1
8	TA50031	Barrel Washer, Split	2
9	TA50030	Barrel Nut	1
10	TA50043	Snap Ring, Hand Guard	1
11	TA50044	Wave Spring	1
12	TA50042	Delta Ring	1
13	TA50203	Front Sight Mount, Complete	1
14	TA50205	Valve Assembly with Power Tube	1
15	TA50017	Linkage Arm	1
16	TA50204	Rear Bolt Complete	1
17	TA50224	Front Bolt Assembly	1
18	TA50110	Adjusting Block, HU	1
19	TA50033	Set Screw, #10-32 UNF Tapered Point	1
20	TA50233	Modular PIC Rail Handguard	1
21	TA50235	Rear Flip Up Sight	1
22	TA50234	Front Flip Up Sight	1
23	TA50139	Screw, #10-32 x 3/16" BHSCS	1



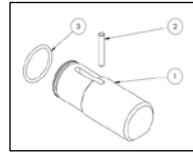
Item	Part No.	Front Bolt Assy Description	Qty
1	TA50120	Front Bolt	1
2	TA20097	Spring	1
3	02-20S	Spring	1
4	TA50116	Spring Keeper	1
5	TA50121	Front Bolt Spring Cap	1



Item	Part No.	Power Tube Assy Description	Qty
1	TA50011	Power Tube	1
2	TA50037	Set Screw, 8-32 x 3/8"	1
3	TA50210	Valve Assembly Complete	1



Item	Part No.	Rear Bolt Assy Description	Qty
1	TA50016	Rear Bolt	1
2	TA20063	Pivot Pin	1
3	98-12A	O-Ring, CU, 90A, 2-019	1



Item	Part No.	Barrel Assy Description	Qty
1	TA50006	Barrel	1
2	TA50111	Barrel Insert	1
3	TA50014	Ball Latch	1
4	TA50032	Flash Suppressor	1
5	TA50117	Clamp, Hop Up Top	1
6	TA50118	Clamp, Hop Up Bottom	1
7	TA50133	#8-32 x 3/16" Set Screw Cup Point	1
8	TA50050	Front Sight Clamp Bolt	2
9	TA50049	Front Sight Clamp	2
10	TA50045	Front Sight Base	1
11	4-PA	Sling Swivel	1

